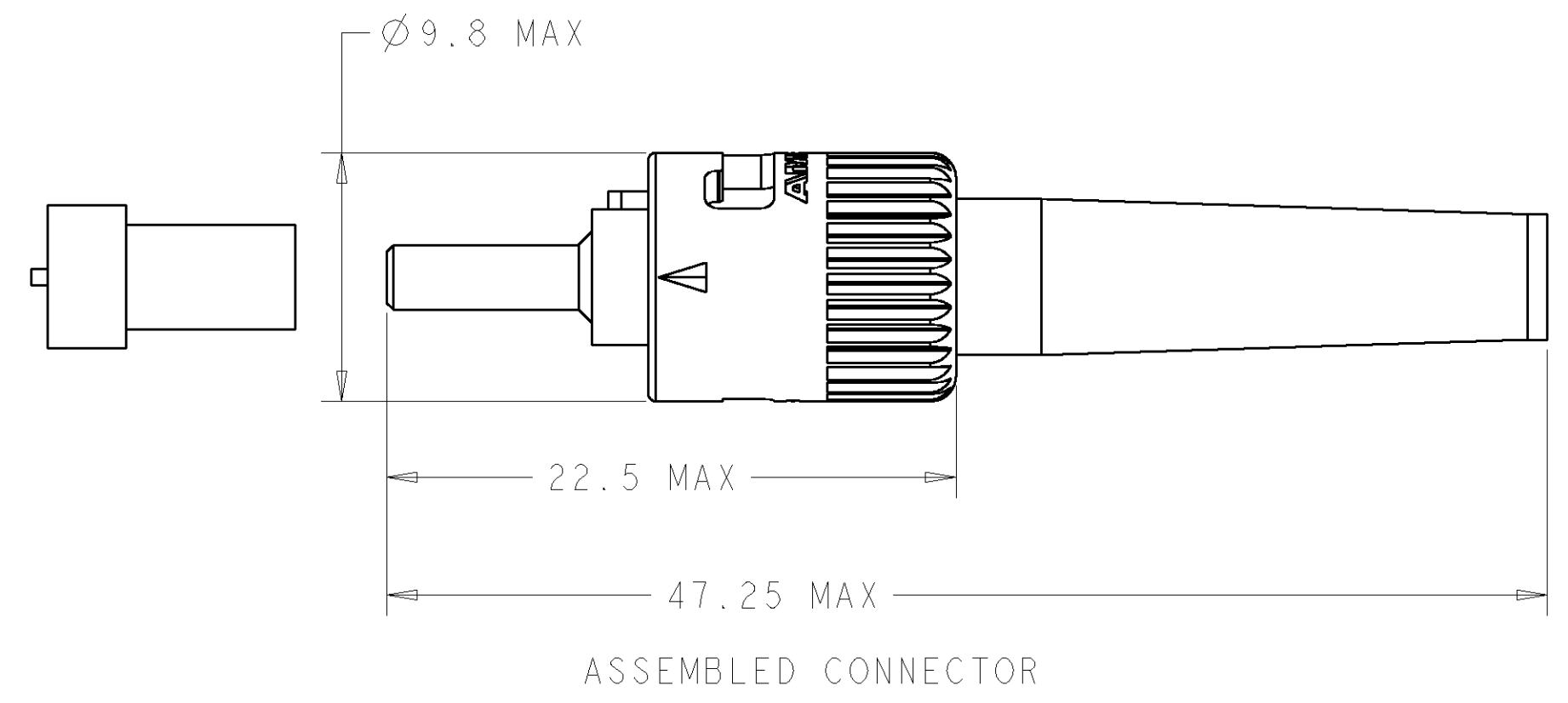
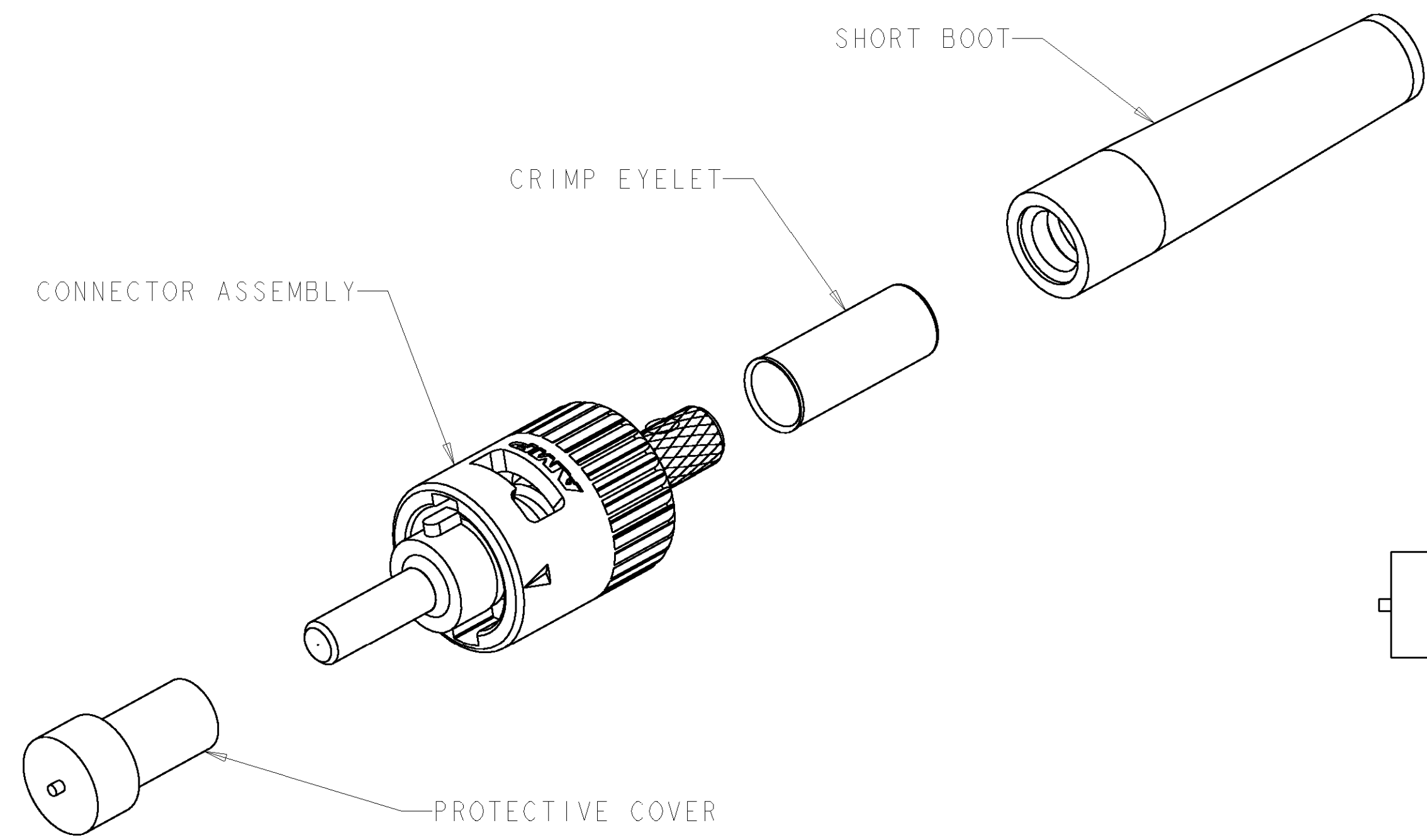


THIS DRAWING IS UNPUBLISHED. RELEASED FOR PUBLICATION 20
 © COPYRIGHT 20 BY TYCO ELECTRONICS CORPORATION. ALL RIGHTS RESERVED.

LOC	DIST	REVISIONS					
CE	00	P	LTR	DESCRIPTION	DATE	DWN	APVD
		R		REV PER ECN 0A00-0287-04	08JUN2004	DEH	SAB
		S		REVISE PER 0A00-0122-05	18MAR2005	BB	SB
		T		REVISE PER ECR-05-004248	07JUN2005	BB	SB



⚠ MATERIAL:
 PROTECTIVE COVER: LDPE, COLOR: BLACK, NON-FR.
 CONNECTOR ASSEMBLY
 FERRULE ASSEMBLY: PES-GF20, COLOR: WHITE/ARP-GF30, COLOR: BLACK.*
 SPRING: STAINLESS STEEL
 COUPLING NUT: PBT-GF17, COLOR: BLACK.*
 RETENTION RING: STAINLESS STEEL.
 CRIMP EYELET: TIN PLATED COPPER.
 SHORT BOOT: TPE, COLOR: BLACK.*
 *UL94 V-0 RATED AT QUALIFYING THICKNESS.

2. BULK PACKAGED.

125µm	503424-3
FIBER SIZE	PART NUMBER

THIS DRAWING IS A CONTROLLED DOCUMENT FOR TYCO ELECTRONICS CORPORATION. IT IS SUBJECT TO CHANGE AND THE CONTROLLING ENGINEERING ORGANIZATION SHOULD BE CONTACTED FOR THE LATEST REVISION.		DWN D. E. HODGE 08JUN04	Tyco Electronics Harrisburg, PA 17105-3608	
DIMENSIONS: INCHES		CHK E. HOPKINS 08JUN04		
TOLERANCES UNLESS OTHERWISE SPECIFIED: 0 PLC ±.1 1 PLC ±.02 2 PLC ±.02 3 PLC ±.005 4 PLC ±. ANGLES ±. FINISH		APVD S. BUCHTER 08JUN04	NAME CONNECTOR KIT, BAYONET POLYMER COMPOSITE OVERMOLD	
MATERIAL		PRODUCT SPEC -	SIZE A2	CAGE CODE 00779
-		APPLICATION SPEC -	DRAWING NO 503424	RESTRICTED TO -
-		WEIGHT -	CUSTOMER DRAWING	
-		SCALE 4:1	SHEET 1	REV T